



Taps for Titanium, Aluminium & Stainless Steel

# TAPS FOR AEROSPACE

Volume 1

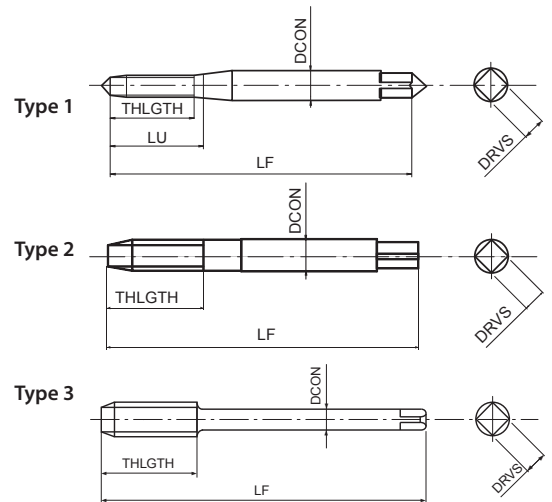


# V-TI-SFT

Threading | Cutting taps | MJ



- Powder metal low spiral-fluted cutting tap for blind holes
- Multilayer TiCN coating
- For Titanium alloys



Threading | Cutting taps



3-5

m/min



EDP	TD	TP	LF	THLGTH	LU	DCON	DRVS	NOF	PHD	Type	DIN
48241125	2	0,4	45	-	8	2,8	2,1	2	1,610 ~ 1,722	1	371
48241138	3	0,5	56	-	11	3,5	2,7	3	2,513 ~ 2,653	2	371
48241144	4	0,7	63	-	14	4,5	3,4	3	3,318 ~ 3,498	2	371
48241149	5	0,8	70	-	17	6	4,9	3	4,221 ~ 4,421	2	371
48241155	6	1	80	-	21	6	4,9	3	5,026 ~ 5,216	2	371
48241161	8	1,25	90	-	28	8	6,2	3	6,782 ~ 6,994	2	371
48241169	10	1,5	100	-	35	10	8	3	8,539 ~ 8,775	2	371
48241179	12	1,75	110	18	-	10	8	3	10,295 ~ 10,560	3	376

MJ





*shaping your dreams*

#### **OSG EUROPE LOGISTICS**

Avenue Lavoisier 1  
B-1300 Z.I. Wavre - Nord - Belgium  
Tel: +32 10 23 05 07  
info@osgeurope.com

#### **OSG BELUX**

Avenue Lavoisier 1  
B-1300 Z.I. Wavre - Nord - Belgium  
Tel: +32 10 23 05 11  
info@osg-belgium.com

#### **OSG FRANCE**

Parc Icade, Paris Nord 2  
Immeuble "Le Rimbaud"  
22 Avenue des Nations  
CS66191 - 93420 Villepinte - France  
Tel: +33 1 49 90 10 10  
sales@osg-france.com

#### **OSG NETHERLANDS**

Bedrijfsweg 5 - 3481 MG Harmelen  
Tel: +31 348 44 2764  
info@osg-nl.com

#### **OSG UK**

Kelsey Close, Attleborough Fields Ind Est,  
CV11 6RS, Nuneaton, United Kingdom.  
Tel: +44 1827 720 013  
uk\_sales@osg-uk.com

#### **CZECH, SLOVAKIA, HUNGARY**

OSG Europe Logistics S.A.  
Slovakia organizacna zlozka  
Racianská 22/A, SK-83102 Bratislava  
Slovakia  
Tel. +421 24 32 91 295  
Orders-osgsvk@osgeurope.com

#### **OSG POLAND Sp. z o.o.**

Spółdzielcza 57  
05-074 Halinów - Poland  
Tel: +22 760 82 71  
osg@osg-poland.com

#### **OSG GERMANY**

Karl-Ehmann-Str. 25  
D - 73037 Göppingen - Germany  
Tel: +49 7161 6064 - 0  
Fax: +49 7161 6064 - 444  
info@osg-germany.de

#### **OSG SCANDINAVIA**

(For Scandinavian countries)  
Langebjergvaenget 16  
4000 Roskilde - Denmark  
Tel: +45 46 75 65 55  
osg@osg-scandinavia.com

#### **SWEDEN**

Branch office of OSG SCANDINAVIA  
Singelgatan 7  
212 28 Malmö - Sweden  
Tel: +46 40 41 22 55  
osg@osg-scandinavia.com

#### **OSG IBERICA**

Bekolarra 4  
E - 01010 Vitoria-Gasteiz - Spain  
Tel: +34 945 242 400  
osg.iberica@osg-ib.com

#### **OSG TURKEY**

Rami Kışla Cad.No:56 Eyüp  
Istanbul 34056 - Turkey  
Tel+90 212 565 24 00  
Fax: +90 212 565 44 00  
info@osg-turkey.com

#### **OSG ROMANIA SRL**

25C, Bucuresti-Magurele Street (Sector 5)  
051431 Bucuresti - România  
Tel: +40 21 322 07 47  
info@osgromania.ro

#### **AUSTRIA**

Branch office of OSG GERMANY  
Messestraße 11  
A-6850 Dornbirn  
Tel: +49 7161 6064-0  
info@osg-germany.de

#### **OSG ITALIA**

Via Ferrero, 65 A/B3  
I - 10098 Rivoli - Italy  
Tel: +39 0117705211  
info@osg-italia.it

#### **Vischer & Bolli AG**

Machining and Workholding  
Im Schossacher 17  
CH-8600 Dübendorf  
T +41 44 802 15 15  
info@vb-tools.com

**OSG EUROPE LOGISTICS S.A.**

01/2022 - All rights reserved. © OSG Europe 2022

The contents of this catalogue are provided to you for viewing only. They are not intended for reproduction either in part or in whole in this or other medium. They cannot be copied, used to create derivation work or used for any reason, by means without the express, written permission of the copyright owner. If prices are stated, they are netto unit-prices and any eventual tax(es) have to be added. The company is not responsible for any printing error in technical, price and/or any other data.

Tool specifications subject to change without notice.

[www.osgeurope.com](http://www.osgeurope.com)