



General purpose, also suitable for stainless steel

S-TAP

Volume 3.2



NEW SIZES AVAILABLE NOW • NEW SIZES AVAILABLE NOW • NEW SIZES AVAILABLE NOW • NEW SIZES AVAILABLE NOW • NEW SIZES AVAILABLE NOW

Additional
SIZES

M	MF	FORME
G	+0.1	UNC
UNF	RC	



INDEX

Blind Hole

Metric

S-SFT	NEW SIZES	PAGE 5
S-SFT 6G	NEW	PAGE 6
S-SFT 7G	NEW	PAGE 7
S-SFT +0.1	NEW	PAGE 8
S-SFT (FORM E)	NEW	PAGE 9
S-LT-SFT	NEW	PAGE 10
S-SFT-LH	NEW	PAGE 11
S-SFT-HB Weldon Shank	NEW	PAGE 12

Metric Fine

S-SFT	PAGE 13
S-SFT 6G	NEW	PAGE 14

G (BSP)

S-SFT	NEW	PAGE 15
-------	------------------	---------

UNC

S-SFT	NEW	PAGE 16
-------	------------------	---------

UNF

S-SFT	NEW	PAGE 17
-------	------------------	---------

BSW

S-SFT	NEW	PAGE 18
-------	------------------	---------

BSF

S-SFT	NEW	PAGE 19
-------	------------------	---------

BA

S-SFT	NEW	PAGE 20
-------	------------------	---------

Rc (BSPT)

S-TPT	NEW	PAGE 21
-------	------------------	---------

INDEX

Through Hole

Metric

S-POT	NEW SIZES	PAGE 22
S-POT 6G	NEW	PAGE 23
S-POT 7G	NEW	PAGE 24
S-POT +0.1	NEW	PAGE 25
S-LT-POT	NEW	PAGE 26
S-POT-LH	NEW	PAGE 27
S-POT-HB Weldon Shank	NEW	PAGE 28

Metric Fine

S-POT	PAGE 29
S-POT 6G	NEW	PAGE 30

G (BSP)

S-POT	NEW	PAGE 31
-------	------------------	---------

UNC

S-POT	NEW	PAGE 32
-------	------------------	---------

UNF

S-POT	NEW	PAGE 33
-------	------------------	---------

BSW

S-POT	NEW	PAGE 34
-------	------------------	---------

BSF

S-POT	NEW	PAGE 35
-------	------------------	---------

BA

S-POT	NEW	PAGE 36
-------	------------------	---------

KEY FEATURES: S-TAP



1 General purpose

2 Accelerate chip evacuation
Variable lead flute (PAT.)

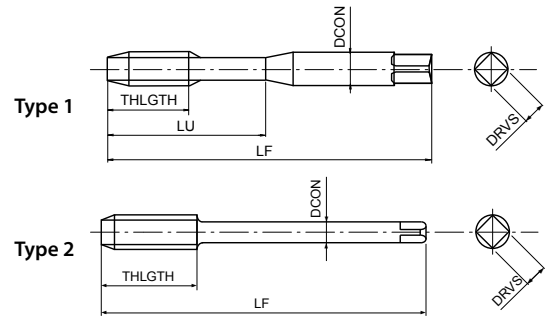
3 Also suitable for stainless steel

4 Steam oxide surface treatment

5 HSSE

S-SFT

Threading | Cutting taps | Metric



- HSSE spiral-flute cutting tap for blind holes
- Steam oxide treatment
- General purpose tapping in steels and stainless steels

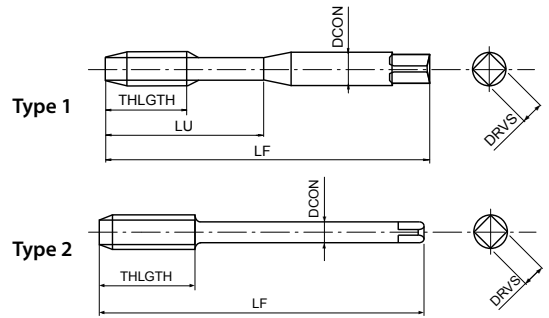
P	P	P	P	M	K	
C < 0,2%	0,25 < C < 0,4	C ≥ 0,45%	SCM	INOX	GGG	
10-15	8-14	8-14	7-11	7-12	7-14	m/min

M	HSSE	OX	40°	ISO 2 6H	ISO 1 5H < M1,4	C/2,5		DIN 371	DIN 376
----------	-------------	-----------	------------	-----------------	---------------------------	--------------	--	----------------	----------------

EDP	TD	TP	LF	THLGTH	LU	DCON	DRVS	NOF	Type	DIN
48223111	1	0,25	40	-	5	2,5	2,1	2	1	371
48223112	1,1	0,25	40	-	5	2,5	2,1	2	1	371
48223113	1,2	0,25	40	-	5	2,5	2,1	2	1	371
48223115	1,4	0,3	40	-	6	2,5	2,1	2	1	371
48223118	1,6	0,35	40	-	7	2,5	2,1	2	1	371
48223119	1,7	0,35	40	-	8	2,5	2,1	2	1	371
48223120	1,8	0,35	40	-	8	2,5	2,1	2	1	371
48223125	2	0,4	45	4	10	2,8	2,1	2	1	371
48223127	2,2	0,45	45	5	11	2,8	2,1	2	1	371
48223128	2,3	0,4	45	4	12	2,8	2,1	2	1	371
48223133	2,5	0,45	50	4,5	13	2,8	2,1	2	1	371
48223136	2,6	0,45	50	4,5	13	2,8	2,1	2	1	371
48223138	3	0,5	56	5	18	3,5	2,7	3	1	371
48223142	3,5	0,6	56	6	20	4	3	3	1	371
48223144	4	0,7	63	7	21	4,5	3,4	3	1	371
48223147	4,5	0,75	70	7,5	25	6	4,9	3	1	371
48223149	5	0,8	70	8	25	6	4,9	3	1	371
48223152	5,5	0,9	80	9	30	6	4,9	3	1	371
48223155	6	1	80	10	30	6	4,9	3	1	371
48223158	7	1	80	10	30	7	5,5	3	1	371
48223161	8	1,25	90	13	35	8	6,2	3	1	371
48223165	9	1,25	90	13	35	9	7	3	1	371
48223169	10	1,5	100	15	39	10	8	3	1	371
48223140	3	0,5	56	5	-	2,2	-	3	2	376
48223185	4	0,7	63	7	-	2,8	2,1	3	2	376
48223150	5	0,8	70	8	-	3,5	2,7	3	2	376
48223187	6	1	80	10	-	4,5	3,4	3	2	376
48223159	7	1	80	10	-	5,5	4,3	3	2	376
48223188	8	1,25	90	13	-	6	4,9	3	2	376
48223166	9	1,25	90	13	-	7	5,5	3	2	376
48223189	10	1,5	100	15	-	7	5,5	3	2	376
48223175	11	1,5	100	15	-	8	6,2	3	2	376
48223179	12	1,75	110	18	-	9	7	4	2	376
48223191	14	2	110	20	-	11	9	4	2	376
48223202	16	2	110	20	-	12	9	4	2	376
48223214	18	2,5	125	25	-	14	11	4	2	376
48223228	20	2,5	140	25	-	16	12	4	2	376
48223238	22	2,5	140	25	-	18	14,5	4	2	376
48223247	24	3	160	30	-	18	14,5	4	2	376

S-SFT 7G

Threading | Cutting taps | Metric



- HSSE spiral-flute cutting tap for blind holes
- Steam oxide treatment
- General purpose tapping in steels and stainless steels
- For 7G internal thread tolerance

P C < 0,2%	P 0,25 < C < 0,4	P C ≥ 0,45%	P SCM	M INOX	K GGG	
10-15	8-14	8-14	7-11	7-12	7-14	m/min

M	HSSE	OX	40°	7G	C/2,5	DIN 371	DIN 376
----------	-------------	-----------	------------	-----------	--------------	----------------	----------------

EDP	TD	TP	Oversize	LF	THLGTH	LU	DCON	DRVS	NOF	Type	DIN
48274125	2	0,4	0,0380	45	3,2	10	2,8	2,1	2	1	371
48274133	2,5	0,45	0,0400	50	3,6	13	2,8	2,1	2	1	371
48274138	3	0,5	0,0400	56	4	18	3,5	2,7	3	1	371
48274144	4	0,7	0,0440	63	5,6	21	4,5	3,4	3	1	371
48274149	5	0,8	0,0480	70	6,4	25	6	4,9	3	1	371
48274155	6	1	0,0520	80	8	30	6	4,9	3	1	371
48274161	8	1,25	0,0560	90	10	35	8	6,2	3	1	371
48274169	10	1,5	0,0640	100	12	39	10	8	3	1	371
48274179	12	1,75	0,0680	110	14	-	9	7	4	2	376
48274191	14	2	0,0760	110	16	-	11	9	4	2	376
48274202	16	2	0,0760	110	16	-	12	9	4	2	376

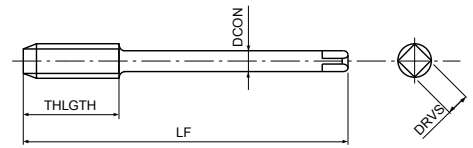
Threading | Cutting taps

Metric



S-SFT

Threading | Cutting taps | Metric Fine



- HSS-E spiral-flute cutting tap for blind holes
- Steam oxide treatment
- General purpose tapping in steels and stainless steels

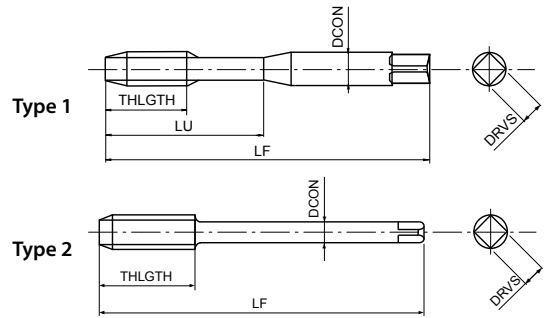
P	P	P	P	M	K	
C < 0,2%	0,25 < C < 0,4	C ≥ 0,45%	SCM	INOX	GGG	
10-15	8-14	8-14	7-11	7-12	7-14	m/min

MF	HSSE	OX	40°	ISO 2 6H	C/2,5	DIN 374
-----------	-------------	-----------	------------	-----------------	--------------	----------------

EDP	TD	TP	LF	THLGTH	DCON	DRVS	NOF	DIN
48223139	3	0,35	56	4	2,2	-	3	374
48223145	4	0,5	63	5,6	2,8	2,1	3	374
48223151	5	0,5	70	6,4	3,5	2,7	3	374
48223157	6	0,5	80	8	4,5	3,4	3	374
48223156	6	0,75	80	8	4,5	3,4	3	374
48223163	8	0,75	80	10	6	4,9	3	374
48223162	8	1	90	10	6	4,9	3	374
48223167	9	1	90	10	7	5,5	3	374
48223172	10	0,75	90	12	7	5,5	3	374
48223171	10	1	90	12	7	5,5	3	374
48223170	10	1,25	100	12	7	5,5	3	374
48223176	11	1	90	12	8	6,2	3	374
48223182	12	1	100	14	9	7	4	374
48223181	12	1,25	100	14	9	7	4	374
48223180	12	1,5	100	14	9	7	4	374
48223194	14	1	100	16	11	9	4	374
48223193	14	1,25	100	16	11	9	4	374
48223192	14	1,5	100	16	11	9	4	374
48223204	16	1	100	16	12	9	4	374
48223203	16	1,5	100	16	12	9	4	374
48223218	18	1	110	20	14	11	4	374
48223216	18	1,5	110	20	14	11	4	374
48223232	20	1	125	20	16	12	4	374
48223230	20	1,5	125	20	16	12	4	374
48223220	20	2	140	20	16	12	4	374
48223241	22	1	125	20	18	14,5	4	374
48223240	22	1,5	125	20	18	14,5	4	374
48223239	22	2	140	20	18	14,5	4	374
48223251	24	1	140	20	18	14,5	4	374
48223250	24	1,5	140	24	18	14,5	4	374
48223249	24	2	140	24	18	14,5	4	374

S-SFT

Threading | Cutting taps | UNC



- HSSSE spiral-flute cutting tap for blind holes
- Steam oxide treatment
- General purpose tapping in steels and stainless steels

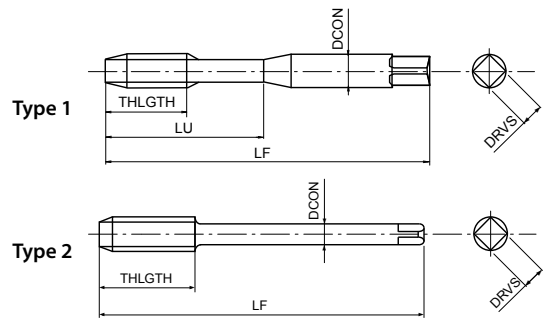
Threading | Cutting taps

P C < 0,2%	P 0,25 < C < 0,4	P C ≥ 0,45%	P SCM	M INOX	K GGG	m/min
10-15	8-14	8-14	7-11	7-12	7-14	
UNC	HSSE	OX	40°	ANSI 2B	C/2,5	DIN 2184-1

EDP	TD	TP	LF	THLGTH	LU	DCON	DRVS	NOF	Type	DIN
48223453	2	56	45	3,6	11	2,8	2,1	2	1	2184-1
48223455	3	48	50	3,6	13	2,8	2,1	2	1	2184-1
48223457	4	40	56	5,1	18	3,5	2,7	2	1	2184-1
48223459	5	40	56	5,1	18	3,5	2,7	3	1	2184-1
48223461	6	32	56	6,4	20	4	3	3	1	2184-1
48223464	8	32	63	6,4	21	4,5	3,4	3	1	2184-1
48223466	10	24	70	8,5	25	6	4,9	3	1	2184-1
48223468	12	24	80	8,5	30	6	4,9	3	1	2184-1
48223471	1/4	20	80	10,2	30	7	5,5	3	1	2184-1
48223474	5/16	18	90	11,3	35	8	6,2	3	1	2184-1
48223479	3/8	16	100	12,7	39	10	8	3	1	2184-1
48223484	7/16	14	100	14,5	-	8	6,2	3	2	2184-1
48223489	1/2	13	110	15,6	-	9	7	4	2	2184-1
48223494	9/16	12	110	16,9	-	11	9	4	2	2184-1
48223501	5/8	11	110	18,5	-	12	9	4	2	2184-1
48223515	3/4	10	125	25,4	-	14	11	4	2	2184-1
48223526	7/8	9	140	28,2	-	18	14,5	4	2	2184-1
48223538	1	8	160	31,8	-	18	14,5	4	2	2184-1
48223997	1 1/8	7	180	36	-	22	18	4	2	2184-1
48223998	1 1/4	7	180	36	-	22	18	4	2	2184-1
48223999	1 1/2	6	200	42	-	28	22	4	2	2184-1

S-POT

Threading | Cutting taps | Metric



- HSSE spiral-point cutting tap for through holes
- Steam oxide treatment
- General purpose tapping in steels and stainless steels

Threading | Cutting taps

P C < 0,2%	P 0,25 < C < 0,4	P C ≥ 0,45%	P SCM	M INOX	K GGG	m/min
15-24	10-15	10-15	8-13	8-16	10-15	

M	HSSE	OX	ISO 2 6H	ISO 1 5H < M1,4	B/4	DIN 371	DIN 376
----------	-------------	-----------	-----------------	---------------------------	------------	----------------	----------------

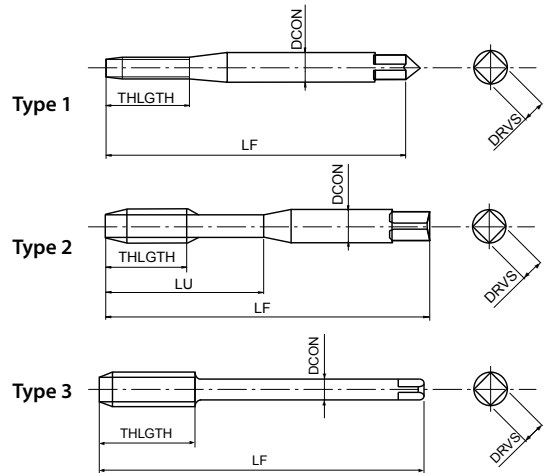
EDP	TD	TP	LF	THLGTH	LU	DCON	DRVS	NOF	Type	DIN
48224111	1	0,25	40	5	-	2,5	2,1	2	1	371
48224112	1,1	0,25	40	5	-	2,5	2,1	2	1	371
48224113	1,2	0,25	40	5	-	2,5	2,1	2	1	371
48224115	1,4	0,3	40	7	-	2,5	2,1	2	1	371
48224118	1,6	0,35	40	8	-	2,5	2,1	2	1	371
48224119	1,7	0,35	40	8	-	2,5	2,1	2	1	371
48224120	1,8	0,35	40	8	-	2,5	2,1	2	1	371
48224125	2	0,4	45	8	-	2,8	2,1	2	1	371
48224127	2,2	0,45	45	9	-	2,8	2,1	2	1	371
48224128	2,3	0,4	45	9	-	2,8	2,1	2	1	371
48224133	2,5	0,45	50	9	-	2,8	2,1	2	1	371
48224136	2,6	0,45	50	9	-	2,8	2,1	2	1	371
48224138	3	0,5	56	11	18	3,5	2,7	3	1	371
48224142	3,5	0,6	56	12	20	4	3	3	1	371
48224144	4	0,7	63	13	21	4,5	3,4	3	1	371
48224147	4,5	0,75	70	16	25	6	4,9	3	1	371
48224149	5	0,8	70	16	25	6	4,9	3	1	371
48224152	5,5	0,9	80	17	30	6	4,9	3	1	371
48224155	6	1	80	19	30	6	4,9	3	1	371
48224158	7	1	80	19	30	7	5,5	3	1	371
48224161	8	1,25	90	22	35	8	6,2	3	1	371
48224165	9	1,25	90	22	35	9	7	3	1	371
48224169	10	1,5	100	24	39	10	8	3	1	371
48224140	3	0,5	56	11	-	2,2	-	3	2	376
48224185	4	0,7	63	13	-	2,8	2,1	3	2	376
48224150	5	0,8	70	16	-	3,5	2,7	3	2	376
48224187	6	1	80	19	-	4,5	3,4	3	2	376
48224159	7	1	80	19	-	5,5	4,3	3	2	376
48224188	8	1,25	90	22	-	6	4,9	3	2	376
48224166	9	1,25	90	22	-	7	5,5	3	2	376
48224189	10	1,5	100	24	-	7	5,5	3	2	376
48224175	11	1,5	100	24	-	8	6,2	3	2	376
48224179	12	1,75	110	28	-	9	7	3	2	376
48224191	14	2	110	30	-	11	9	3	2	376
48224202	16	2	110	32	-	12	9	3	2	376
48224214	18	2,5	125	34	-	14	11	3	2	376
48224228	20	2,5	140	34	-	16	12	3	2	376
48224238	22	2,5	140	34	-	18	14,5	3	2	376
48224247	24	3	160	38	-	18	14,5	3	2	376

S-POT 7G

Threading | Cutting taps | Metric



- HSSE spiral-point cutting tap for through holes
- Steam oxide treatment
- General purpose tapping in steels and stainless steels
- For 7G internal thread tolerance



Threading | Cutting taps

P	P	P	P	M	K	
C < 0,2%	0,25 < C < 0,4	C ≥ 0,45%	SCM	INOX	GGG	
15-24	10-15	10-15	8-13	8-16	10-15	m/min

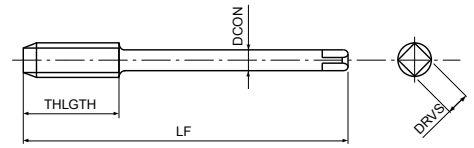
M	HSSE	OX	7G	B/4		
----------	-------------	-----------	-----------	------------	--	--

EDP	TD	TP	Oversize	LF	THLGTH	LU	DCON	DRVS	NOF	Type	DIN
48273125	2	0,4	0,0380	45	8	-	2,8	2,1	2	1	371
48273133	2,5	0,45	0,0400	50	9	-	2,8	2,1	2	1	371
48273138	3	0,5	0,0400	56	11	18	3,5	2,7	3	2	371
48273144	4	0,7	0,0440	63	13	21	4,5	3,4	3	2	371
48273149	5	0,8	0,0480	70	16	25	6	4,9	3	2	371
48273155	6	1	0,0520	80	19	30	6	4,9	3	2	371
48273161	8	1,25	0,0560	90	22	35	8	6,2	3	2	371
48273169	10	1,5	0,0640	100	24	39	10	8	3	2	371
48273179	12	1,75	0,0680	110	28	-	9	7	3	3	376
48273191	14	2	0,0760	110	30	-	11	9	3	3	376
48273202	16	2	0,0760	110	32	-	12	9	3	3	376

Metric

S-POT

Threading | Cutting taps | Metric Fine



- HSS-E spiral-point cutting tap for through holes
- Steam oxide treatment
- General purpose tapping in steels and stainless steels

P C < 0,2%	P 0,25 < C < 0,4	P C ≥ 0,45%	P SCM	M INOX	K GGG	
15-24	10-15	10-15	8-13	8-16	10-15	m/min
MF	HSSE	OX	ISO 2 6H	B/4		DIN 374

EDP	TD	TP	LF	THLGTH	DCON	DRVS	NOF	DIN
48224139	3	0,35	56	9	2,2	-	3	374
48224145	4	0,5	63	10	2,8	2,1	3	374
48224151	5	0,5	70	12	3,5	2,7	3	374
48224157	6	0,5	80	14	4,5	3,4	3	374
48224156	6	0,75	80	14	4,5	3,4	3	374
48224163	8	0,75	80	18	6	4,9	3	374
48224162	8	1	90	22	6	4,9	3	374
48224167	9	1	90	22	7	5,5	3	374
48224172	10	0,75	90	20	7	5,5	3	374
48224171	10	1	90	20	7	5,5	3	374
48224170	10	1,25	100	24	7	5,5	3	374
48224176	11	1	90	20	8	6,2	3	374
48224182	12	1	100	22	9	7	3	374
48224181	12	1,25	100	22	9	7	3	374
48224180	12	1,5	100	22	9	7	3	374
48224194	14	1	100	22	11	9	3	374
48224193	14	1,25	100	22	11	9	3	374
48224192	14	1,5	100	22	11	9	3	374
48224204	16	1	100	22	12	9	3	374
48224203	16	1,5	100	22	12	9	3	374
48224218	18	1	110	25	14	11	3	374
48224216	18	1,5	110	25	14	11	3	374
48224232	20	1	125	25	16	12	3	374
48224230	20	1,5	125	25	16	12	3	374
48224220	20	2	140	34	16	12	3	374
48224241	22	1	125	25	18	14,5	3	374
48224240	22	1,5	125	25	18	14,5	3	374
48224239	22	2	140	34	18	14,5	3	374
48224251	24	1	140	28	18	14,5	3	374
48224250	24	1,5	140	28	18	14,5	3	374
48224249	24	2	140	28	18	14,5	3	374



www.osgeurope.com



SWEDEN

Branch office of OSG SCANDINAVIA
Singelgatan 7
212 28 Malmö
Sweden
Tel: +46 40 41 22 55
osg@osg-scandinavia.com

OSG SCANDINAVIA

(For Scandinavian countries)
Langebjergvaenget 16
4000 Roskilde
Denmark
Tel: +45 46 75 65 55
osg@osg-scandinavia.com

OSG NETHERLANDS

Bedrijfsweg 5
3481 MG Harmelen
The Netherlands
Tel: +31 348 44 2764
Fax: +31 348 44 2144
info@osg-nl.com

OSG UK

Kelsey Close, Attleborough Fields Ind Est,
CV11 6RS, Nuneaton
United Kingdom
Tel: +44 1827 720 013
sales@osg-uk.com

OSG EUROPE LOGISTICS

Avenue Lavoisier 1
B-1300 Z.I. Wavre - Nord
Belgium
Tel: +32 10 23 05 07
Fax: +32 10 23 05 51
info@osgeurope.com

OSG BELUX

Avenue Lavoisier 1
B-1300 Z.I. Wavre - Nord
Belgium
Tel: +32 10 23 05 11
Fax: +32 10 23 05 31
info@osg-belgium.com

OSG IBÉRICA

Bekolarra 4
E - 01010 Vitoria-Gasteiz
Spain
Tel: +34 945 242 400
Fax: +34 945 228 883
osg.iberica@osg-ib.com

OSG FRANCE

Parc Icade, Paris Nord 2
Immeuble "Le Rimbaud"
22 Avenue des Nations
CS66191 - 93420 Villepinte
France
Tel: +33 1 49 90 10 10
Fax: +33 1 49 90 10 15
sales@osg-france.com

OSG ITALY

Via Ferrero, 65 A/B
I - 10098 Rivoli
Italy
Tel: +39 0117705211
Fax: +39 0117705215
info@osg-italia.it





CZECH REPUBLIC, SLOVAKIA, HUNGARY

OSG Europe Logistics S. A.
Slovakia, organizačná zložka
Račianska 22/A, Bratislava 831 02
Slovakia
Tel.: +421 24 32 91 295
info@osgeurope.com

OSG POLAND

ul. Spółdzielcza 57
05-074 Halinów
Polska
Tel: +22 760 82 71
Mob. +48 570 677 711
osg@osg-poland.com

OSG RUSSIA

Butlerova street, 17B, office 5069
117342 Moscow
Russia
Tel: +7 (495) 150 41 54
info@osg-russia.com

ROMSAN INTERNATIONAL CO. SRL

Reprezentant Exclusiv OSG
25C, Bucuresti-Magurele Street
051431 Bucuresti
România
Tel: +40 21 322 07 47
Fax: +40 21 321 56 00
romsan.int@romsan.ro

OSG TURKEY

Rami Kışla Cad.No:56 Eyüp
Istanbul 34056
Turkey
Tel: +90 212 565 24 00
Fax: +90 212 565 44 00
info@osg-turkey.com

Vischer & Bolli AG

Machining and Workholding
Im Schossacher 17
CH-8600 Dübendorf
Schweiz
Tel.: +41 44 802 15 15
Fax: +41 44 802 15 95
info@vb-tools.com

OSG GERMANY

Karl-Ehmann-Str. 25
D - 73037 Göppingen
Germany
Tel: +49 7161 6064 - 0
Fax: +49 7161 6064 - 444
info@osg-germany.de



shaping your dreams

OSG EUROPE LOGISTICS

Avenue Lavoisier 1
B-1300 Z.I. Wavre - Nord - Belgium
Tel: +32 10 23 05 07
Fax: +32 10 23 05 51
info@osgeurope.com

OSG BELUX

Avenue Lavoisier 1
B-1300 Z.I. Wavre - Nord - Belgium
Tel: +32 10 23 05 11
Fax: +32 10 23 05 31
info@osg-belgium.com

OSG FRANCE

Parc Icade, Paris Nord 2
Immeuble "Le Rimbaud"
22 Avenue des Nations
CS66191 - 93420 Villepinte - France
Tel: +33 1 49 90 10 10
Fax: +33 1 49 90 10 15
sales@osg-france.com

OSG NETHERLANDS

Bedrijfsweg 5 - 3481 MG Harmelen
Tel: +31 348 44 2764
Fax: +31 348 44 2144
info@osg-nl.com

OSG UK

Kelsey Close, Attleborough Fields Ind Est,
CV11 6RS, Nuneaton, United Kingdom.
Tel: +44 1827 720 013
uk_sales@osg-uk.com

CZECH, SLOVAKIA, HUNGARY

OSG Europe Logistics S.A.
Slovakia organizacna zlozka
Racianská 22/A, SK-83102 Bratislava
Slovakia
Tel. +421 24 32 91 295
Orders-osgsvk@osgeurope.com

OSG POLAND Sp. z.o.o.

Spółdzielcza 57
05-074 Halinów - Poland
Tel: +22 760 82 71
Fax: +22 760 82 71
osg@osg-poland.com

OSG GERMANY

Karl-Ehmann-Str. 25
D - 73037 Göppingen - Germany
Tel: +49 7161 6064 - 0
Fax: +49 7161 6064 - 444
info@osg-germany.de

OSG SCANDINAVIA

(For Scandinavian countries)
Langebjergvaenget 16
4000 Roskilde - Denmark
Tel: +45 46 75 65 55
Fax: +45 46 75 67 00
osg@osg-scandinavia.com

SWEDEN

Branch office of OSG SCANDINAVIA
Singelgatan 7
212 28 Malmö - Sweden
Tel: +46 40 41 22 55
osg@osg-scandinavia.com

OSG IBERICA

Bekolarra 4
E - 01010 Vitoria-Gasteiz - Spain
Tel: +34 945 242 400
Fax: +34 945 228 883
osg.iberica@osg-ib.com

RUSSIA

Butlerova street, 17B, office 5069
117342 Moscow - Russia
Tel: +7 (495) 150 41 54
info@osg-russia.com

OSG TURKEY

Rami Kişla Cad.No:56 Eyüp
Istanbul 34056 - Turkey
Tel:+90 212 565 24 00
Fax: +90 212 565 44 00
info@osg-turkey.com

ROMSAN INTERNATIONAL CO. SRL

Reprezentant Exclusiv OSG
25C, Bucuresti-Magurele Street
051431 Bucuresti - România
Tel: +40 21 322 07 47
Fax: +40 21 321 56 00
romsan.int@romsan.ro

AUSTRIA

Branch office of OSG GERMANY
Messestraße 11
A-6850 Dornbirn
Tel: +49 7161 6064-0
Fax: +49 7161 6064-444
info@osg-germany.de

OSG ITALIA

Via Ferrero, 65 A/B3
I - 10098 Rivoli - Italy
Tel: +39 0117705211
Fax: +39 0117705215
info@osg-italia.it

Vischer & Bolli AG

Machining and Workholding
Im Schossacher 17
CH-8600 Dübendorf
T +41 44 802 15 15
F +41 44 802 15 95
info@vb-tools.com

OSG EUROPE LOGISTICS S.A.

02/2023 - All rights reserved. © OSG Europe 2023

The contents of this catalogue are provided to you for viewing only. They are not intended for reproduction either in part or in whole in this or other medium. They cannot be copied, used to create derivation work or used for any reason, by means without the express, written permission of the copyright owner. If prices are stated, they are netto unit-prices and any eventual tax(es) have to be added. The company is not responsible for any printing error in technical, price and/or any other data.

Tool specifications subject to change without notice.

www.osgeurope.com